



HOSHIZAKI

Parts List

Ball Ice Maker

Model

IM-50BAA-Q



hoshizakiamerica.com

Number: M041-4975
Issued: 2-2020

Auxiliary Codes

IM-50BAA-Q

K-1

January 2020

Auxiliary Code Breakdown

The auxiliary code is the first two characters in the serial number. The first character indicates the year. Years progress or regress in alphabetical order. The series runs from "A" through "V" and the letters "I" and "O" are skipped. The second character indicates significant part changes within a year. Base is "0" and this number advances for each change. In cases where there is a letter in parentheses, this designates the month. This is the last character in the serial number. The series runs from "(A)" through "(M)" and the letter "(I)" is skipped. This designation is only included when identifying a parts change within an auxiliary code.

Note About Ordering Parts

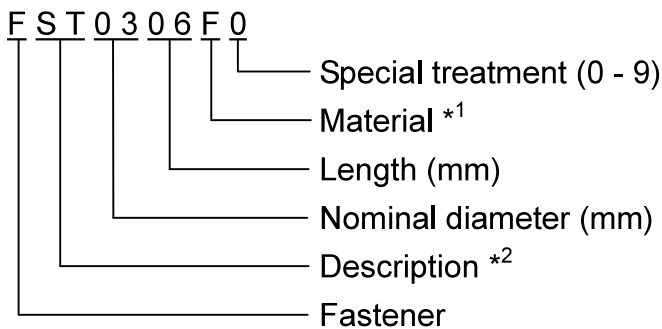
Most assemblies cannot be ordered as complete units; parts in the assemblies generally must be ordered separately.

MARKS LOCATED UNDER THE AUXILIARY CODE

- = Part deleted.
- x = Part deleted and replaced by "o" part.
- o = New part in place of "x" part.

FASTENER PART NUMBER

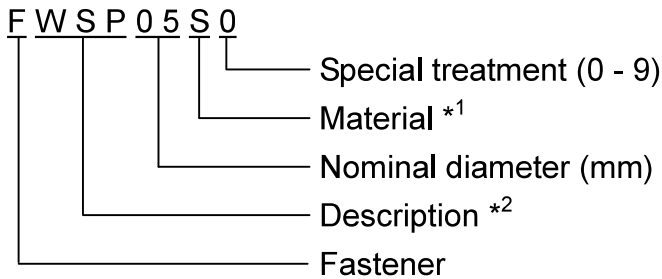
SCREWS



*¹ Material

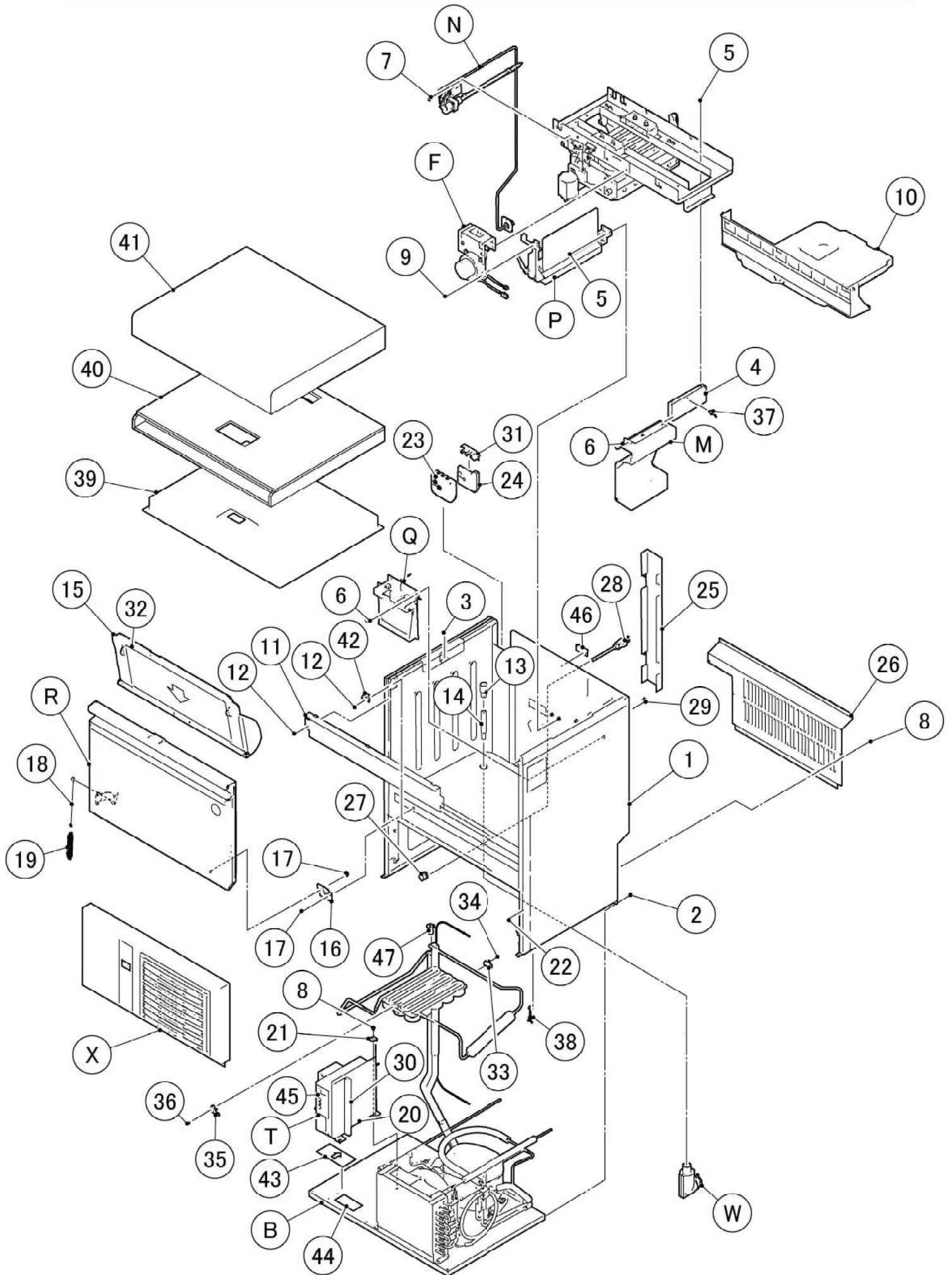
- F: Steel
- S: Austenitic stainless steel
- M: Martensitic stainless steel
- B: Copper alloy
- P: Polycarbonate
- N: Polyamide
- V: PVC
- A: ABS
- X: Polyacetal
- L: Aluminum

NUTS & WASHERS



*² Description

- First letter
- S: Machine screw
- T: Tapping screw
- M: Wood screw
- B: Bolt
- W: Washer
- N: Nut



MODEL: **IM-50BAA-Q**TITLE: **A. ICE CUBER ASSY**

INDEX NO.	DESCRIPTION	MATERIAL OR MODEL NUMBER	PART NUMBER	REQ'D NUMBER			
				K-1			
B	REFRIGERATION ASSY		1H6243A01	1			
F	MECHANISM ASSY		1H6248A01	1			
M	SCOOP HOLDER ASSY		4Z0795A01	1			
N	WATER CIRCUIT ASSY		3Z1438A01	1			
P	ICE GUIDE ASSY		2H9788A01	1			
Q	BIN SWITCH ASSY		4Z0800A01	1			
R	DOOR ASSY		3Y8411A03	1			
T	CONTROL BOX ASSY		2X3991A01	1			
W	DRAIN HOSE ASSY		4Z0812A01	1			
X	FRONT COVER (LO)		2X3993A01	1			
Z	ACCESSORIES		A03842-01	1			
1	BODY		1H6247G01	1			
2	TAPPING SCREW - HEX		442040-01	4			
3	TRUSS HEAD TAPPING SCREW (S-TITE)		FTS0412M0	2			
4	PLATE - SCOOP		4Z0793M01	1			
5	HEX HEAD BOLT SW		FBK0408S0	4			
6	THUMBSCREW		415949G10	3			
7	TRUSS HEAD SCREW		FST0408S0	3			
8	Flange Bolt (C-TITE)		FTR0408M0	13			
9	HEX HEAD BOLT SW		FBK0416S0	2			
10	DRAIN PAN (G)		3Z1439G01	1			

MODEL: **IM-50BAA-Q**TITLE: **A. ICE CUBER ASSY**

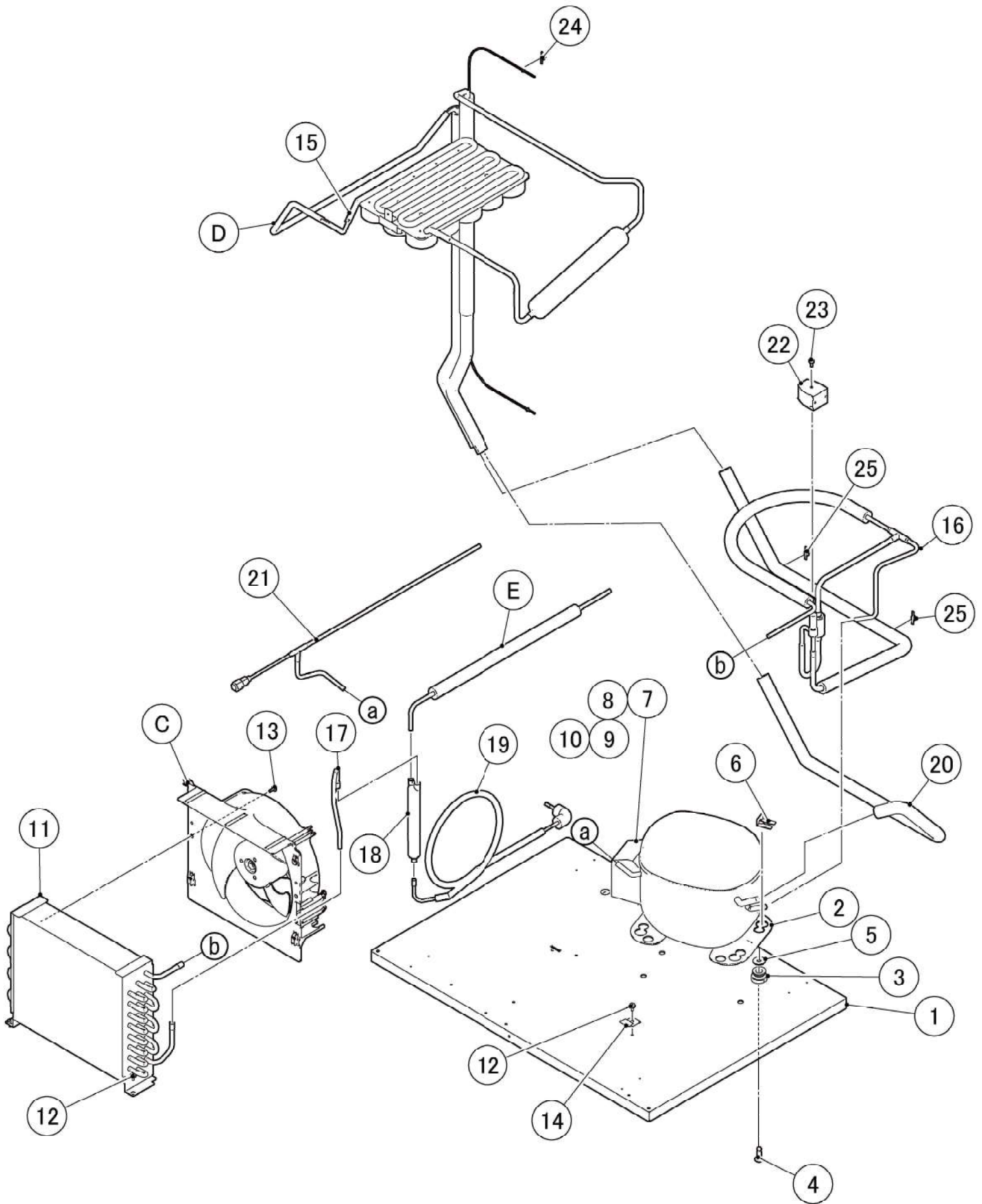
INDEX NO.	DESCRIPTION	MATERIAL OR MODEL NUMBER	PART NUMBER	REQ'D NUMBER			
				K-1			
11	FRAME - FRONT		3Z1440M01	1			
12	T2 TRUSS HEAD SCREW		FT20408M0	7			
13	DRAIN TUBE		4H2585-01	1			
14	DRAIN PIPE		4Z1024P01	1			
15	SLOPE		1H4108P01	1			
16	HINGE		P03583-01	2			
17	HEX HEAD BOLT (SPRING WASHER AND FLAT WASHER)		FBK0616S0	4			
18	HOOK - SPRING		4Y8746M01	1			
19	SPRING		4Y8749M01	1			
20	AIR GUIDE		4Z0819G01	1			
21	GUIDE - BASE		4Z0202M01	1			
22	SCREW - SCREW COLLAR		4Y4697M01	2			
23	GROMMET		4Z0809R01	1			
24	INSULATION - BIN		4Z0810P01	1			
25	COVER - PIPE		3Y2274M01	1			
26	REAR COVER		3Z1450M01	1			
27	BUSHING		420472-02	1			
28	POWER SUPPLY CORD		P00004-01	1			

MODEL: **IM-50BAA-Q**TITLE: **A. ICE CUBER ASSY**

INDEX NO.	DESCRIPTION	MATERIAL OR MODEL NUMBER	PART NUMBER	REQ'D NUMBER			
				K-1			
29	T2 TRUSS HEAD SCREW		FT20412S0	2			
30	INSULATION - GUIDE		4Z0818P01	1			
31	CAP - PIPE		4Z1025M01	1			
32	MAINTENANCE LABEL		279124L01	1			
33	Si Hose		H11014A30	2			
34	TIE		7920-0003	3			
35	HOLDER - THERMISTOR		315479-01	1			
36	S-TITE TRUSS HEAD SCREW		FTS0408M0	1			
37	CLAMP		427902-04	1			
38	CLAMP		427902-08	1			
39	COVER - TOP PANEL		3Z1451P01	1			
40	INSULATION - TOP		3Z1452G01	1			
41	TOP PANEL		2X4205M01	1			
42	BRACKET -TOP PANEL		4Z0817M01	2			

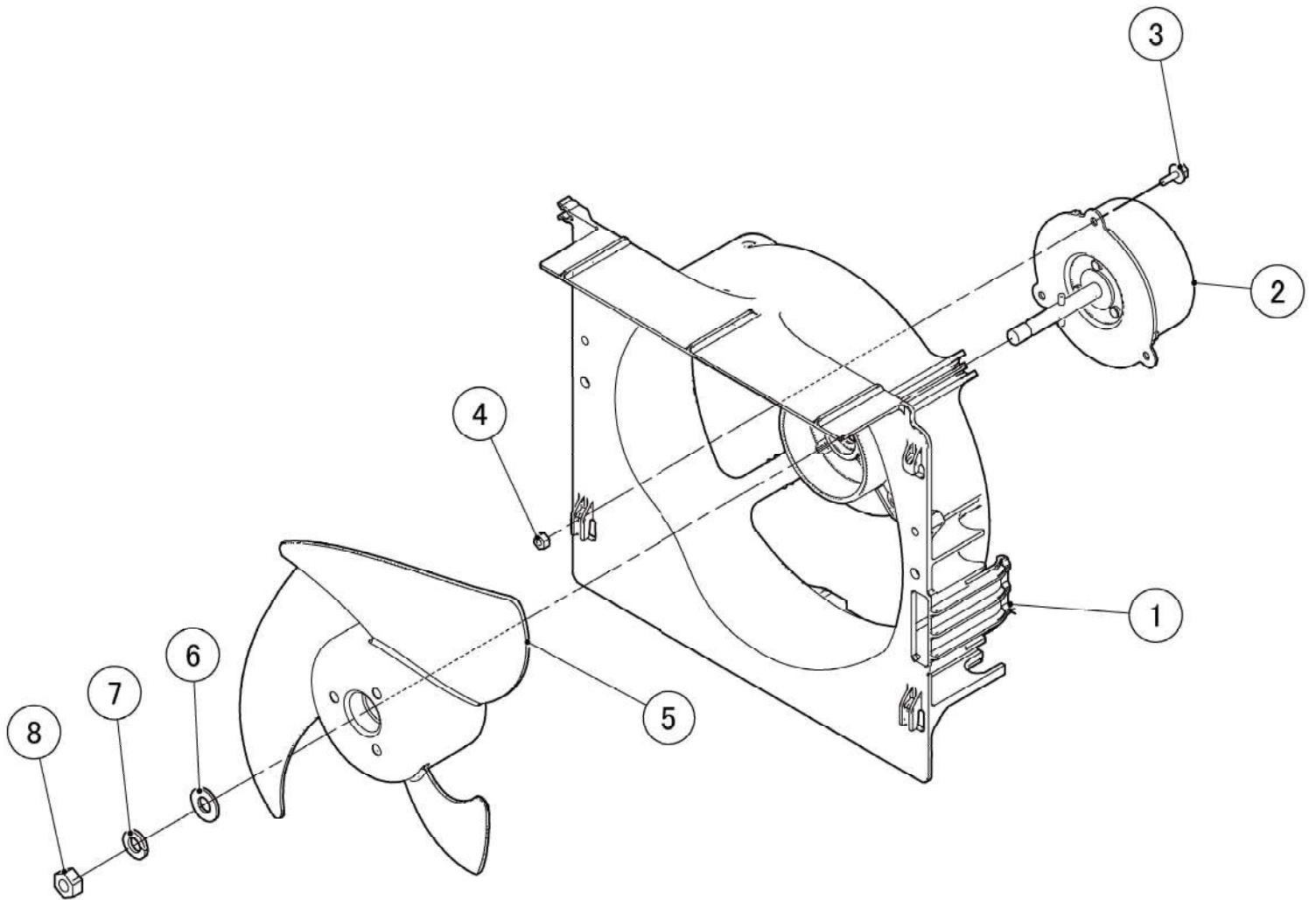
MODEL: **IM-50BAA-Q**TITLE: **A. ICE CUBER ASSY**

INDEX NO.	DESCRIPTION	MATERIAL OR MODEL NUMBER	PART NUMBER	REQ'D NUMBER			
				K-1			
43	CAUTION LABEL - SERVICE		370640L01	1			
44	LABEL - R134A		444463-01	1			
45	CONTROL LABEL (A)		481284L01	1			
46	TOP PANEL LATCH (A)		416458-01	1			
47	Si Hose		H11014A60	1			



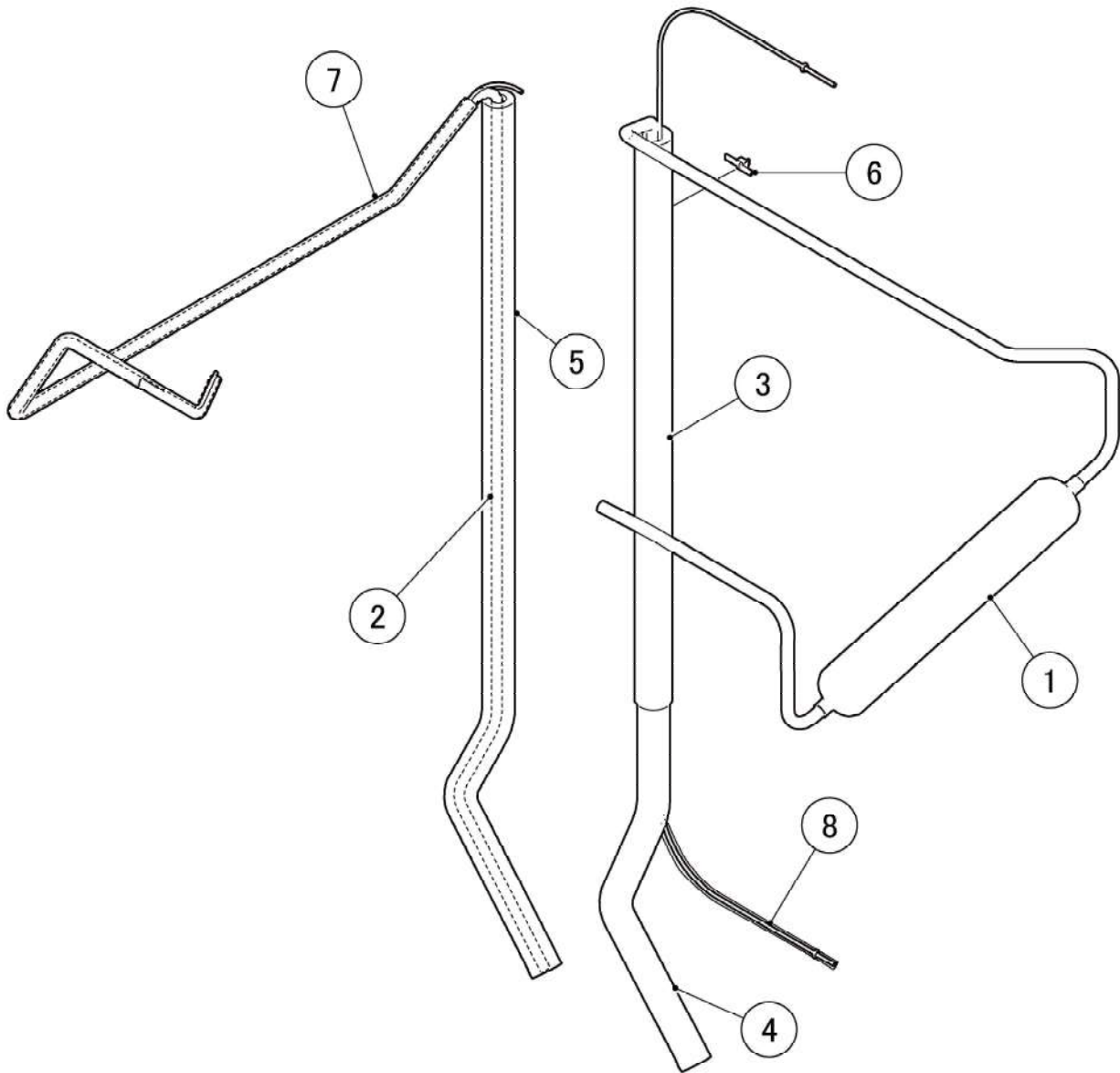
MODEL: **IM-50BAA-Q**TITLE: **B. REFRIGERATION ASSY**

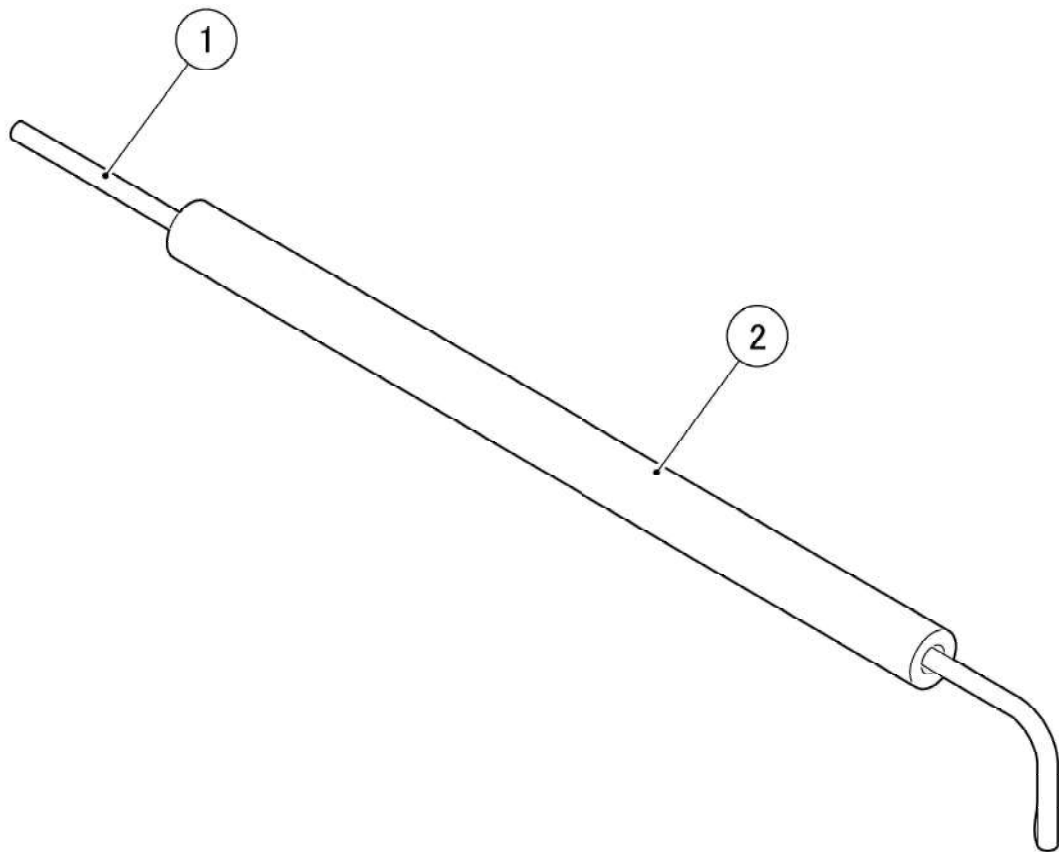
INDEX NO.	DESCRIPTION	MATERIAL OR MODEL NUMBER	PART NUMBER	REQ'D NUMBER			
				K-1			
C	FAN MOTOR ASSY		3Y9909A01	1			
D	HEAT EXCHANGER ASSY		2X3970A01	1			
E	CHARGE TUBE ASSY		4Y4453A01	1			
1	BASE		3Z1420G01	1			
2	COMPRESSOR		4Y2667-01	1			
3	GROMMET		450897-01	4			
4	STEEL PIN		452255-01	4			
5	WASHER CUSHION		450894-01	4			
6	CLIP		452256-01	4			
7	COVER		462715-01	1			
8	CORD RELIEF		462714-01	1			
9	STARTING CAPACITOR		4Y2669-01	1			
10	STARTING RELAY		4Y2668-01	1			
11	CONDENSER		P02554-01	1			
12	Flange Bolt (C-TITE)		FTR0408M0	3			
13	TRUSS HEAD TAPPING SCREW T2		FT20410F0	2			
14	GUIDE – BASE		4Z0202M01	1			
15	EVAPORATOR – CUT		3Z0078G01	1			

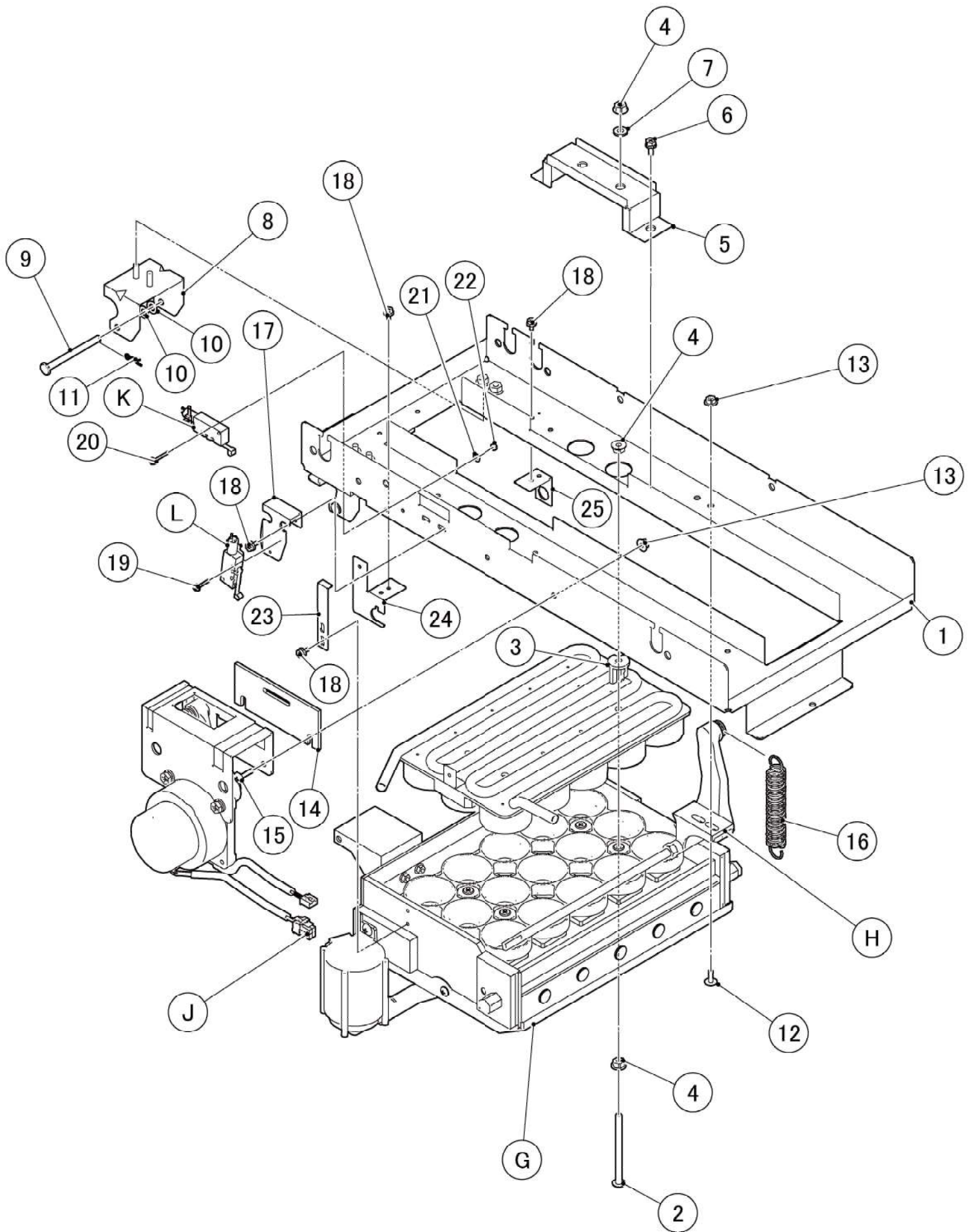


MODEL: **IM-50BAA-Q**TITLE: **C.FAN MOTOR ASSY**

INDEX NO.	DESCRIPTION	MATERIAL OR MODEL NUMBER	PART NUMBER	REQ'D NUMBER			
				K-1			
1	SHROUD		1H5891P01	1			
2	FAN MOTOR		P04439-01	1			
3	HEX HEAD BOLT SW		FBK0412S0	3			
4	U NUT		FNU104S0	3			
5	FAN		P04440-01	1			
6	FLAT WASHER		FWPL08S0	1			
7	SPRING WASHER		FWSP08S0	1			
8	NUT		FNH108S0	1			





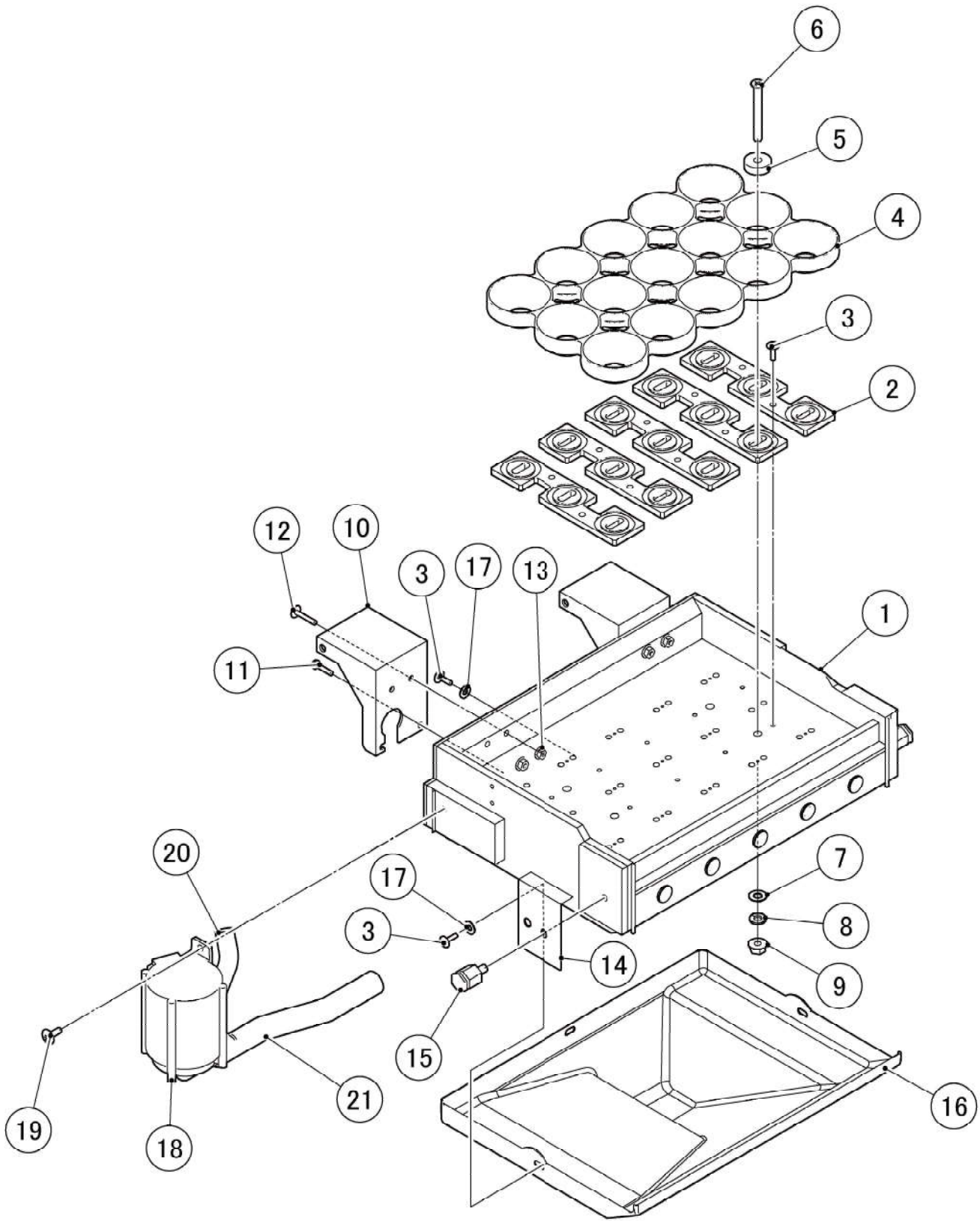


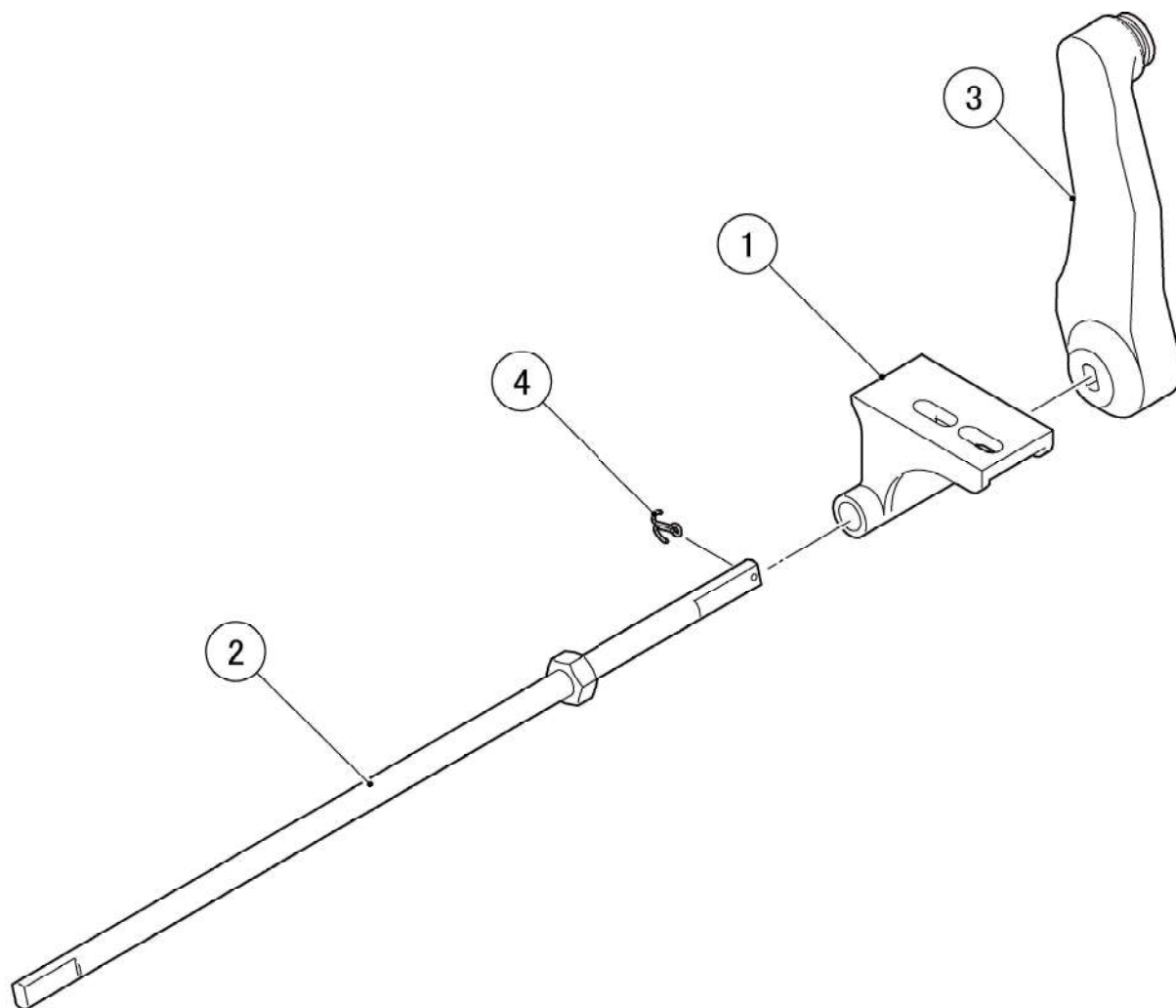
MODEL: **IM-50BAA-Q**TITLE: **F.MECHANISM ASSY**

INDEX NO.	DESCRIPTION	MATERIAL OR MODEL NUMBER	PART NUMBER	REQ'D NUMBER			
				K-1			
G	WATER PAN ASSY		1H4576A02	1			
H	CAM SHAFT ASSY		3Z1433A01	1			
J	ACTUATOR MOTOR ASSY		3Z1435A01	1			
K	MICRO SWITCH ASSY		4Z0788A01	1			
L	MICRO SWITCH ASSY		4Z0788A02	1			
1	MECHANISM BASE		2X3979G01	1			
2	SCREW-EVAPORATOR MOUNTING		4H5788-01	4			
3	SPACER		4H0471-01	4			
4	FLANGE NUT		FNHF06S0	16			
5	BRACKET-EVAPORATOR		3H5000-01	2			
6	HEX HEAD BOLT (SPRING WASHER AND FLAT WASHER)		FBK0512S0	4			
7	WASHER		4H0777-01	4			
8	BEARING PLATE		3Y4722G01	2			
9	SHAFT (A)		4H1184-01	2			
10	FLAT WASHER		FWPL06N0	4			
11	SNAP PIN		715S-0006	2			
12	TRUSS HEAD SCREW		FST0512S0	2			
13	FLANGE NUT		FNHF05S0	4			
14	SPACER (C)		4Y6145P01	1			
15	TRUSS HEAD SCREW		FST0516S0	2			
16	SPRING		4Z0787M01	2			
17	BRACKET - SWITCH		4Y6253M01	1			
18	HEX HEAD BOLT SW		FBK0408S0	6			

MODEL: **IM-50BAA-Q**TITLE: **F.MECHANISM ASSY**

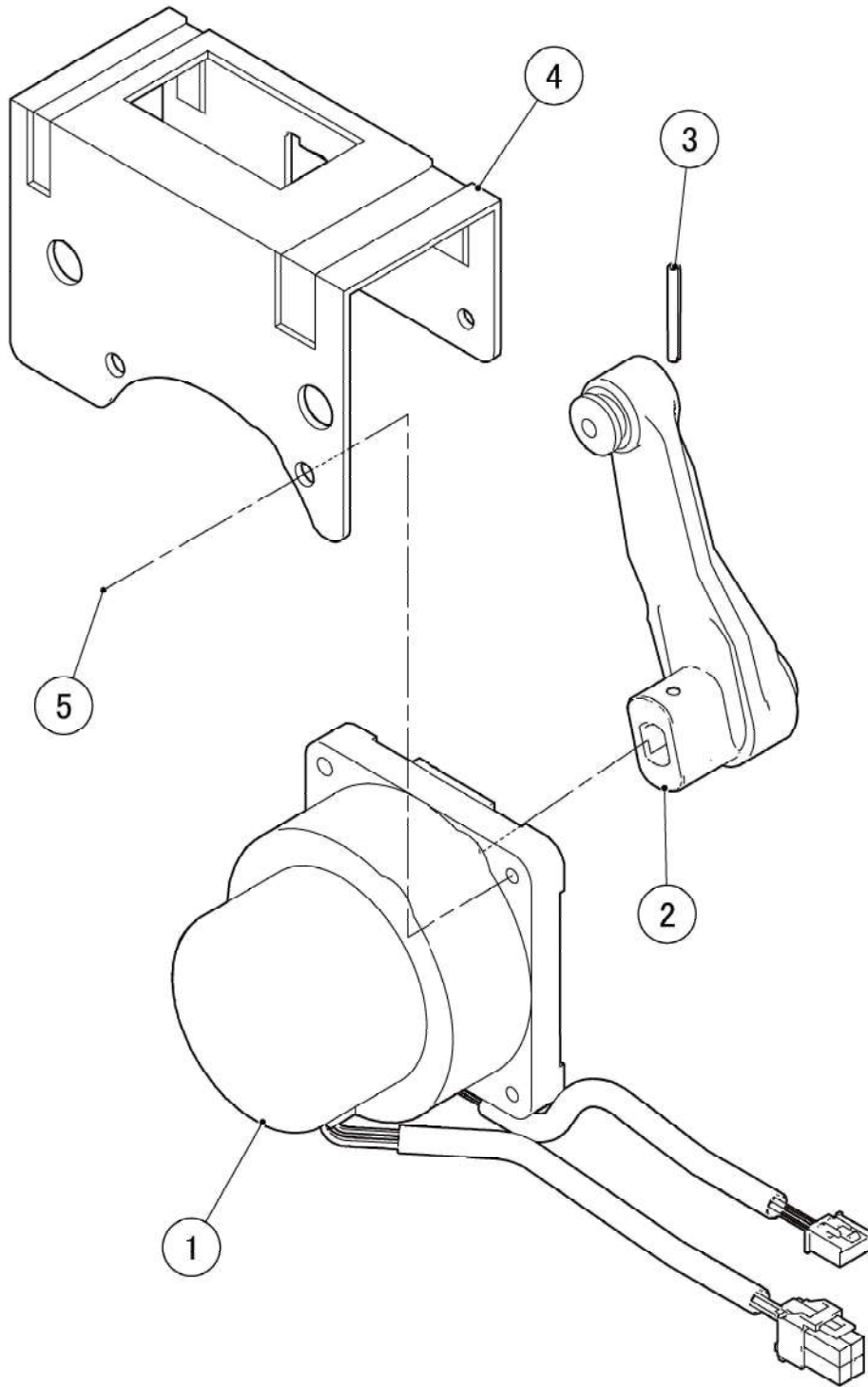
INDEX NO.	DESCRIPTION	MATERIAL OR MODEL NUMBER	PART NUMBER	REQ'D NUMBER			
				K-1			
19	PAN HEAD MACHINE SCREW (SPRING WASHER AND FLAT WASHER)		FSK0316S0	2			
20	PAN HEAD MACHINE SCREW (SPRING WASHER AND FLAT WASHER)		FSK0320S0	2			
21	FLAT WASHER		FWPL03S0	2			
22	NUT		FNH103S0	2			
23	LEVER		4Y6297M01	1			
24	BRACKET - PIPE		4Y6147M01	1			
25	BRACKET - PIPE (B)		4Y6148M01	1			





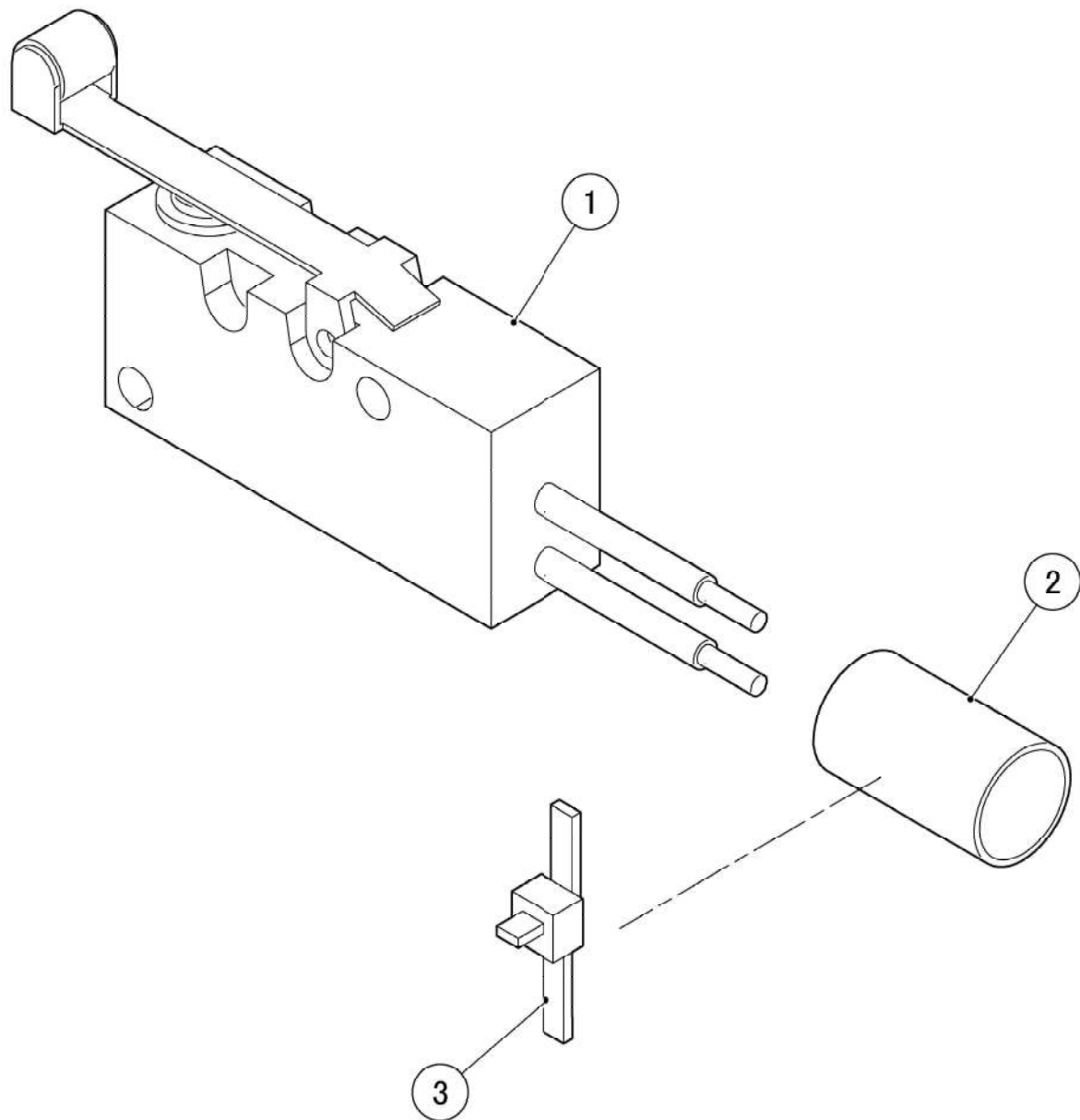
MODEL: **IM-50BAA-Q**TITLE: **H.CAM SHAFT ASSY**

INDEX NO.	DESCRIPTION	MATERIAL OR MODEL NUMBER	PART NUMBER	REQ'D NUMBER			
				K-1			
1	CAM SHAFT BEARING		307256-02	1			
2	CAM SHAFT (G)		4Y6467G01	1			
3	CAM (B)		4Z1019P01	1			
4	CUTTER PIN		711S-0212	1			



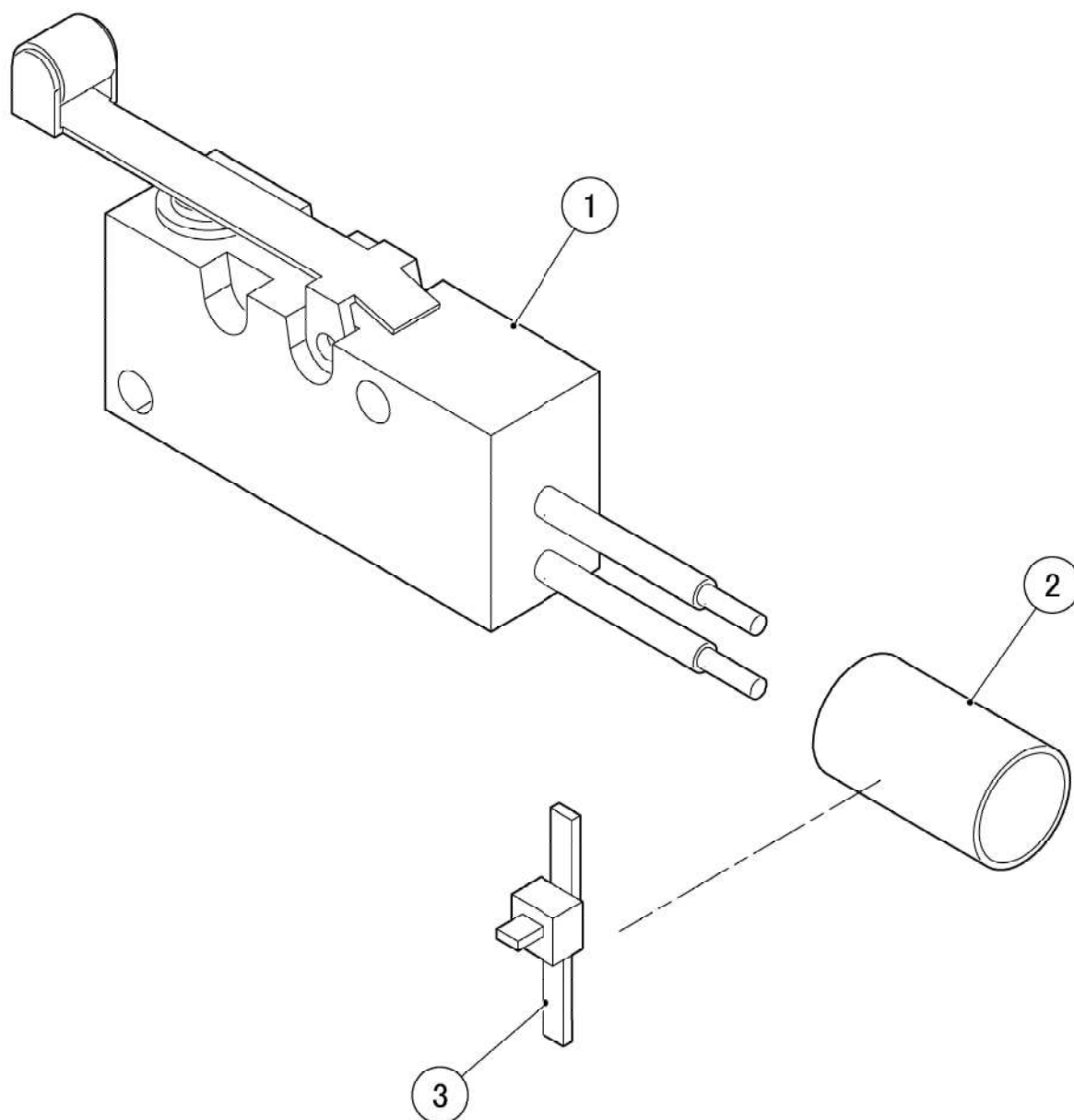
MODEL: **IM-50BAA-Q**TITLE: **J. ACTUATOR MOTOR ASSY**

INDEX NO.	DESCRIPTION	MATERIAL OR MODEL NUMBER	PART NUMBER	REQ'D NUMBER			
				K-1			
1	ACTUATOR MOTOR		3Z1434G01	1			
2	CAM (A)		4Z1020P01	1			
3	SPRING PIN 3*28		712S-0328	1			
4	BRACKET- AM		3Y2924M01	1			
5	HEX HEAD BOLT (SPRING WASHER AND FLAT WASHER)		FBK0616S0	2			



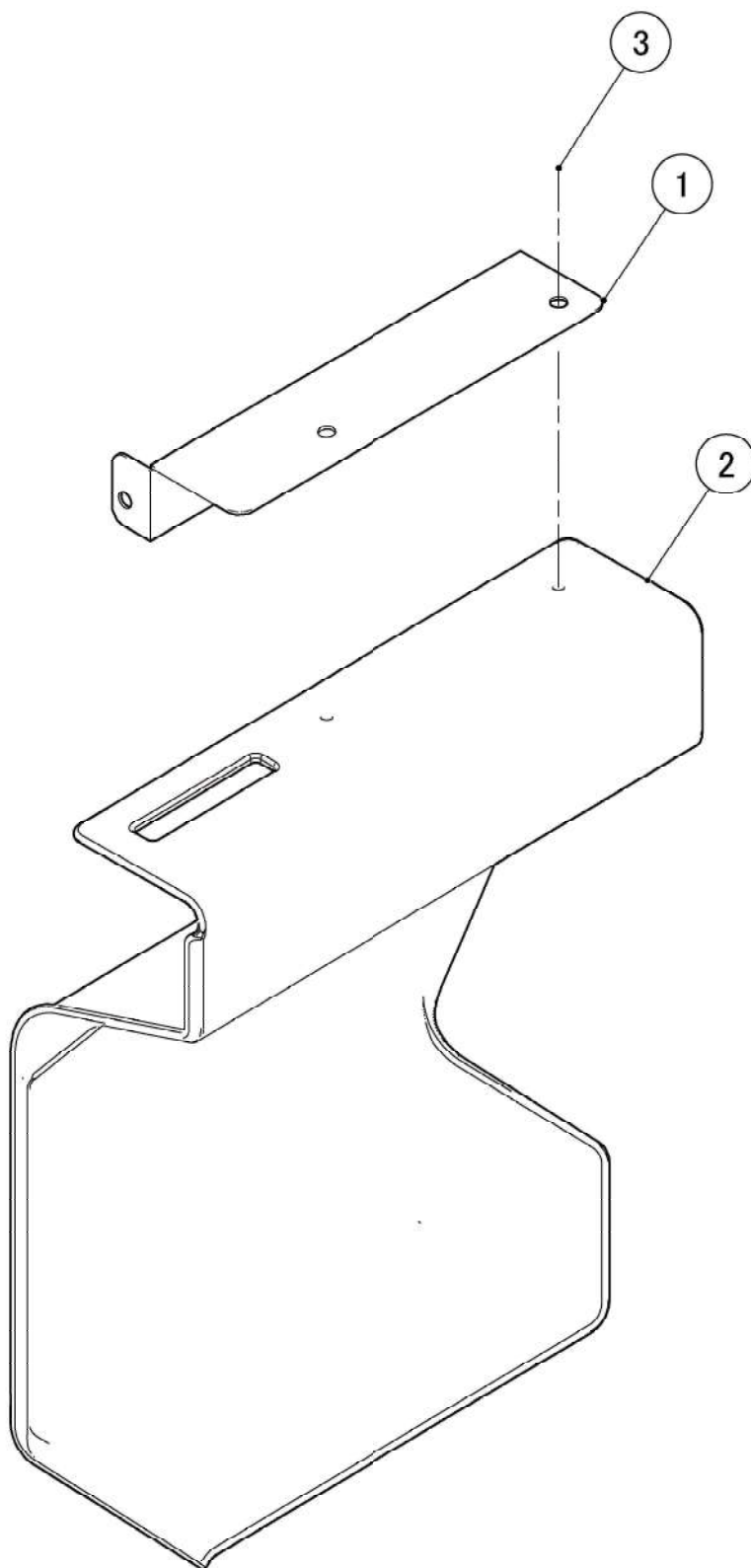
MODEL: **IM-50BAA-Q**TITLE: **K. MICRO SWITCH ASSY**

INDEX NO.	DESCRIPTION	MATERIAL OR MODEL NUMBER	PART NUMBER	REQ'D NUMBER			
				K-1			
1	MICRO SWITCH		P05213-01	1			
2	VINYL TUBE		4Z0788Z02	1			
3	TIE		7920-0002	1			



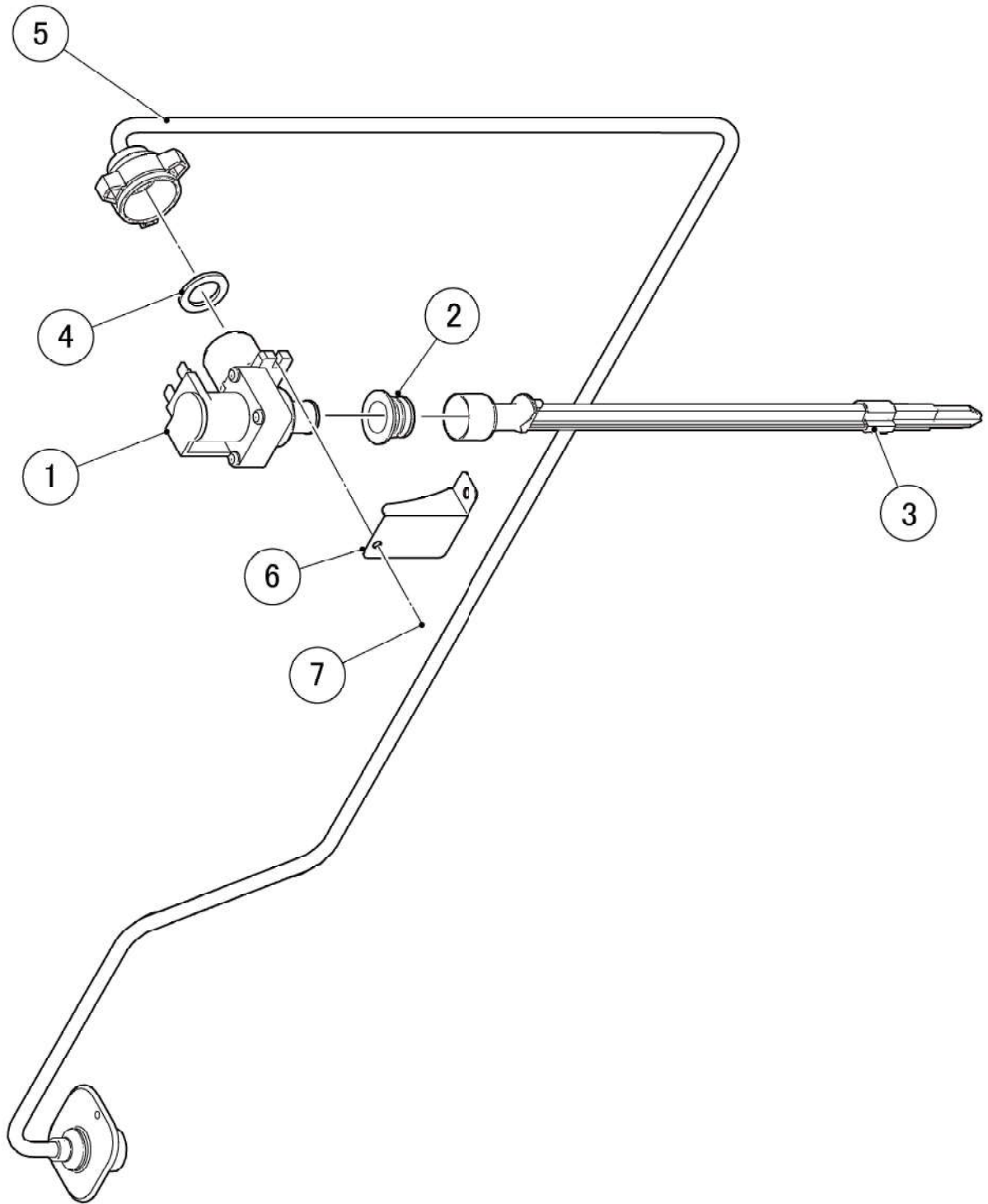
MODEL: **IM-50BAA-Q**TITLE: **L. MICRO SWITCH ASSY**

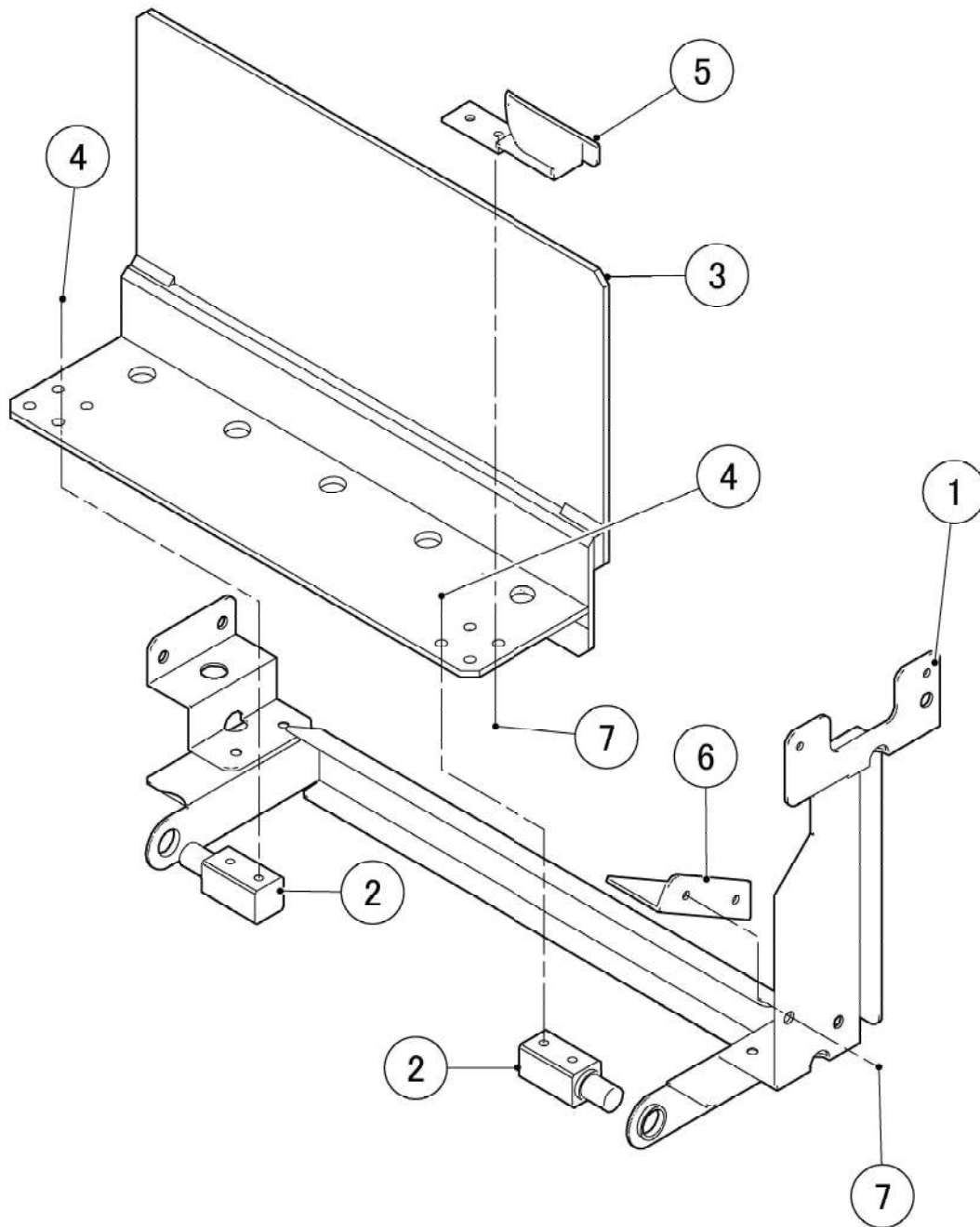
INDEX NO.	DESCRIPTION	MATERIAL OR MODEL NUMBER	PART NUMBER	REQ'D NUMBER			
				K-1			
1	MICRO SWITCH		P05213-01	1			
2	VINYL TUBE		4Z0788Z01	1			
3	TIE		7920-0002	1			

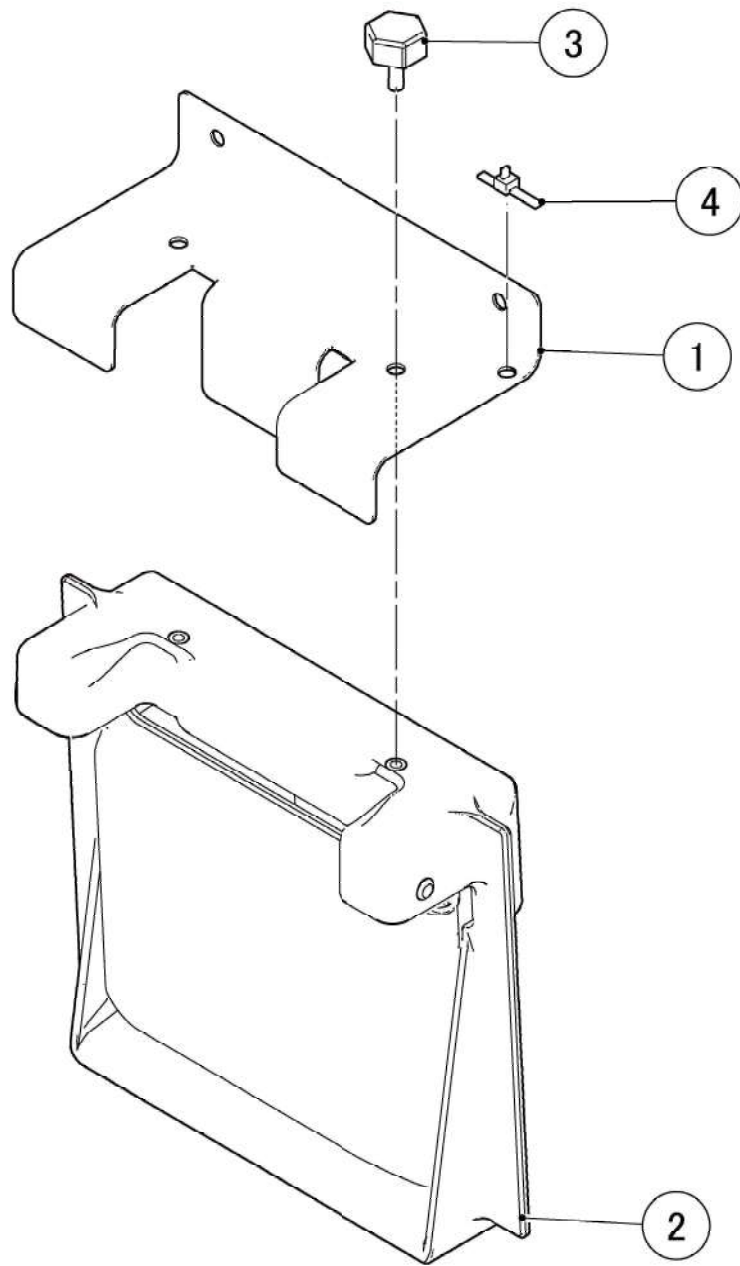


MODEL: **IM-50BAA-Q**TITLE: **M. SCOOP HOLDER ASSY**

INDEX NO.	DESCRIPTION	MATERIAL OR MODEL NUMBER	PART NUMBER	REQ'D NUMBER			
				K-1			
1	PLATE - SCOOP		4Z0794M01	1			
2	HOLDER - SCOOP		2H8685P01	1			
3	T2 TRUSS HEAD SCREW		FT20416M0	2			

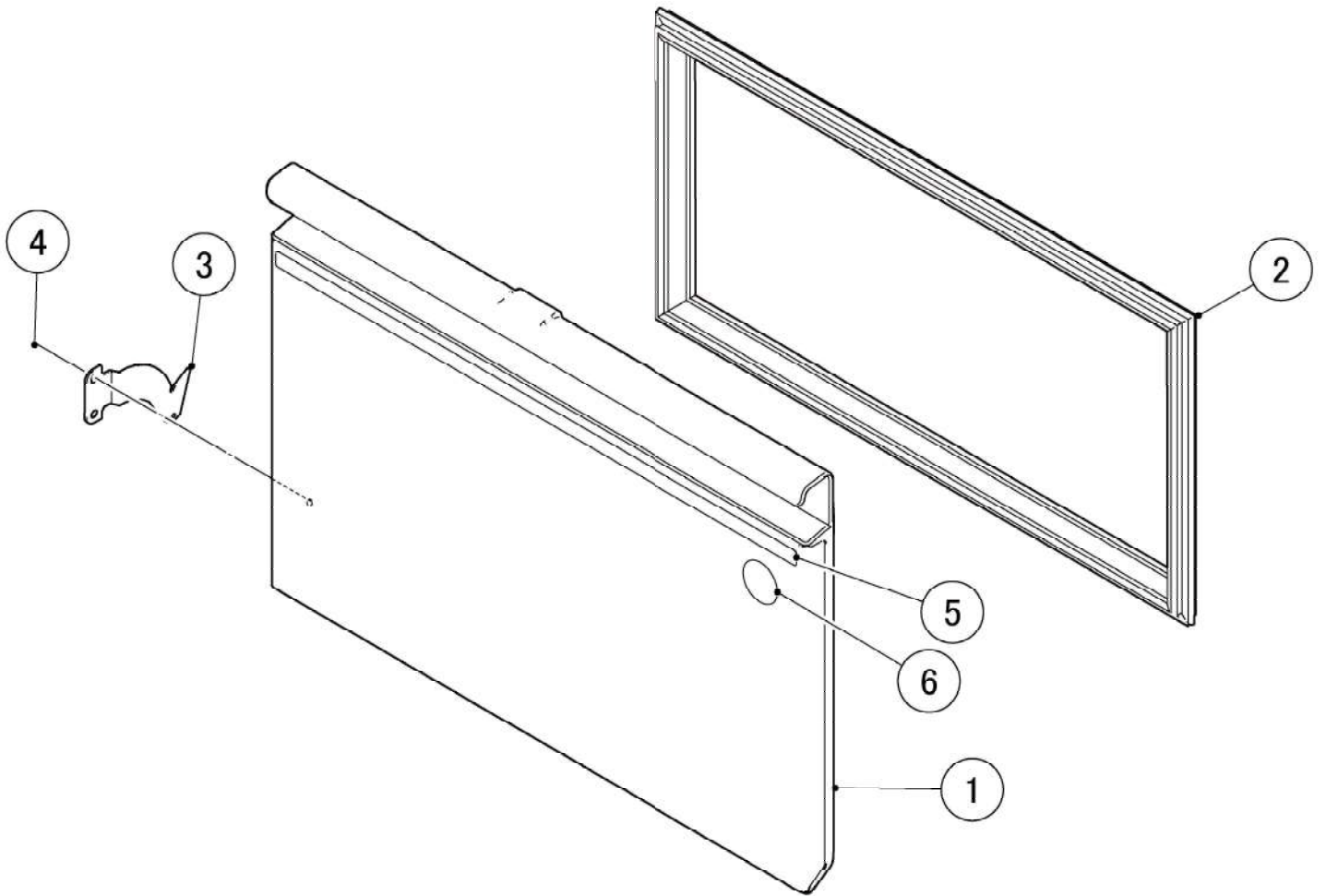


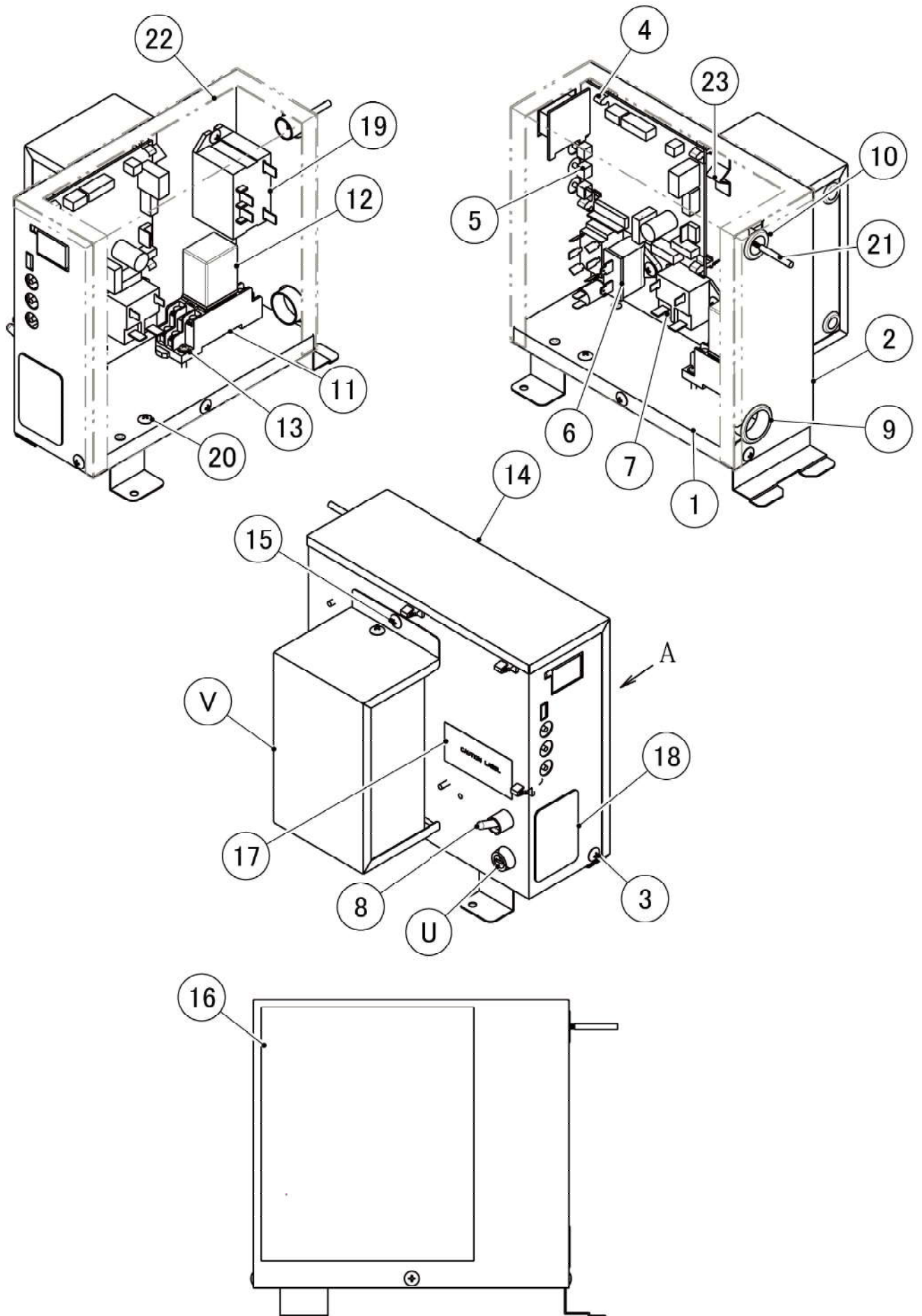




MODEL: **IM-50BAA-Q**TITLE: **Q. BIN SWITCH ASSY**

INDEX NO.	DESCRIPTION	MATERIAL OR MODEL NUMBER	PART NUMBER	REQ'D NUMBER			
				K-1			
1	BRACKET - BIN SWITCH		4Z0799M01	1			
2	BIN CONTROL		2A8598G01	1			
3	THUMBSCREW		415949G10	2			
4	TIE		7920-0002	1			





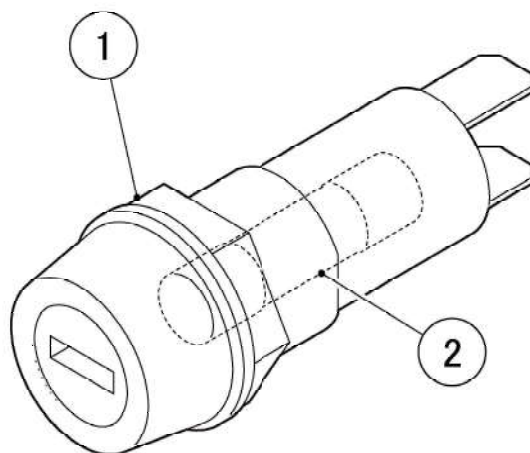
A矢视图

MODEL: **IM-50BAA-Q**TITLE: **T.CONTROL BOX ASSY**

INDEX NO.	DESCRIPTION	MATERIAL OR MODEL NUMBER	PART NUMBER	REQ'D NUMBER			
				K-1			
U	FUSE ASSY		483425A01	1			
V	REGULATION BOX ASSY		2X3990A01	1			
1	CONTROL BOX - BASE		3Z1447G01	1			
2	CONTROL BOX (B)		3Z1448M01	1			
3	T2 TRUSS HEAD SCREW		FT20408F0	9			
4	BOARD SUPPORT		414929-02	4			
5	CONTROLLER BOARD		P01690-02	1			
6	CAPACITOR		416969-01	1			
7	POWER RELAY		P02203-04	1			
8	TOGGLE SWITCH		P00033-01	1			
9	BUSHING		428394-05	1			
10	BUSHING		428394-01	1			
11	Front Connecting Socket		423561-01	1			
12	RELAY		408327-12	1			
13	T2(S) FLANGED PAN HEAD SCREW		431415-02	2			
14	CONT BOX COVER		3Z1449M01	1			
15	T2 TRUSS HEAD SCREW		FT20408M0	2			
16	WIRING LABEL		3Z1691L01	1			
17	CAUTION LABEL		464507-01	1			
18	CONTROL LABEL (B)		391577L01	1			
19	POWER RELAY		449000-01	1			
20	TRUSS HEAD SCREW		FST0408S0	1			
21	THERMISTOR-CUBE CONTROL		P00350-01	1			

MODEL: **IM-50BAA-Q**TITLE: **T.CONTROL BOX ASSY**

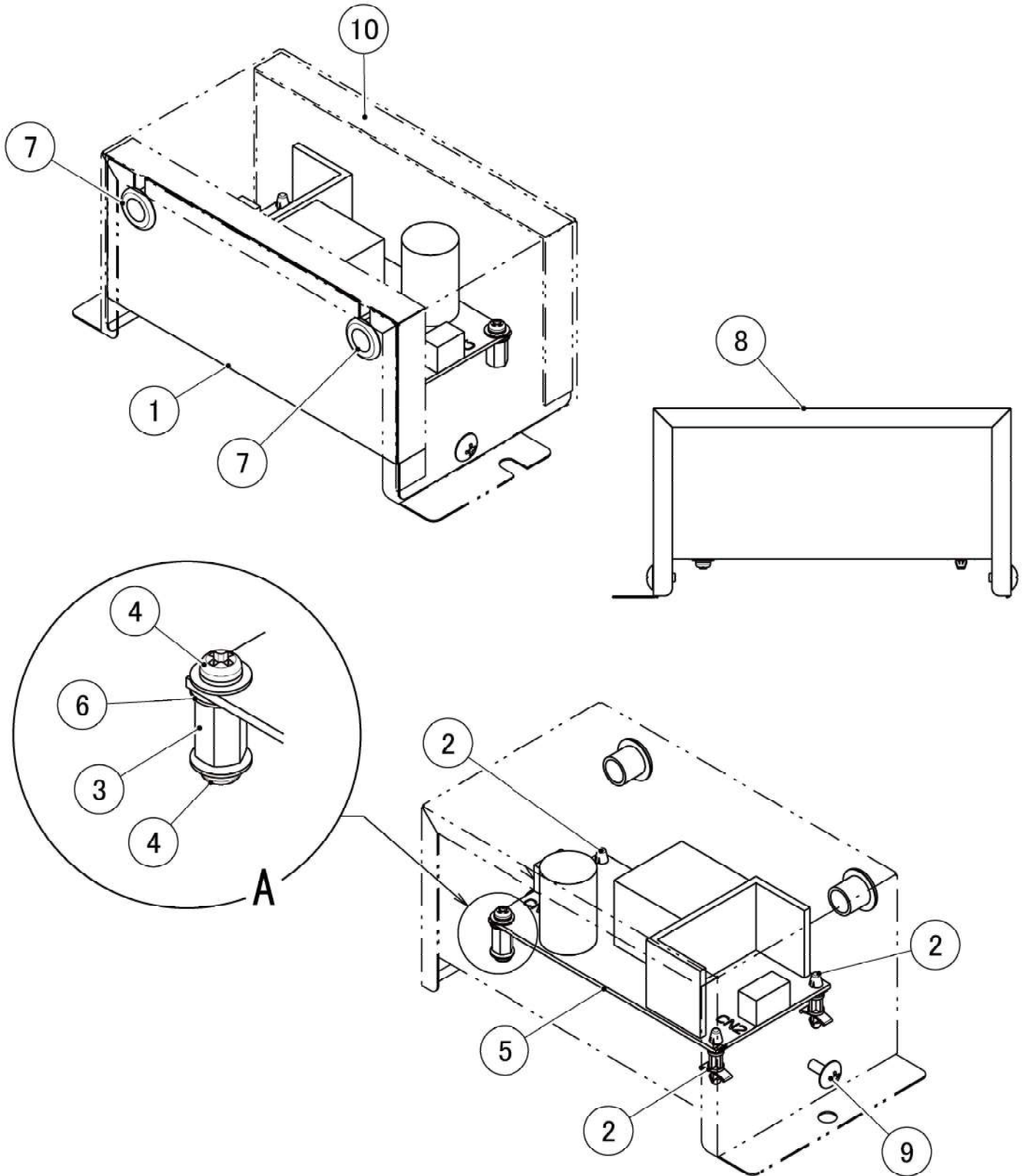
INDEX NO.	DESCRIPTION	MATERIAL OR MODEL NUMBER	PART NUMBER	REQ'D NUMBER			
				K-1			
22	SEAL TAPE		2X3991Z01	1			
23	SEAL TAPE		2X3991Z02	1			

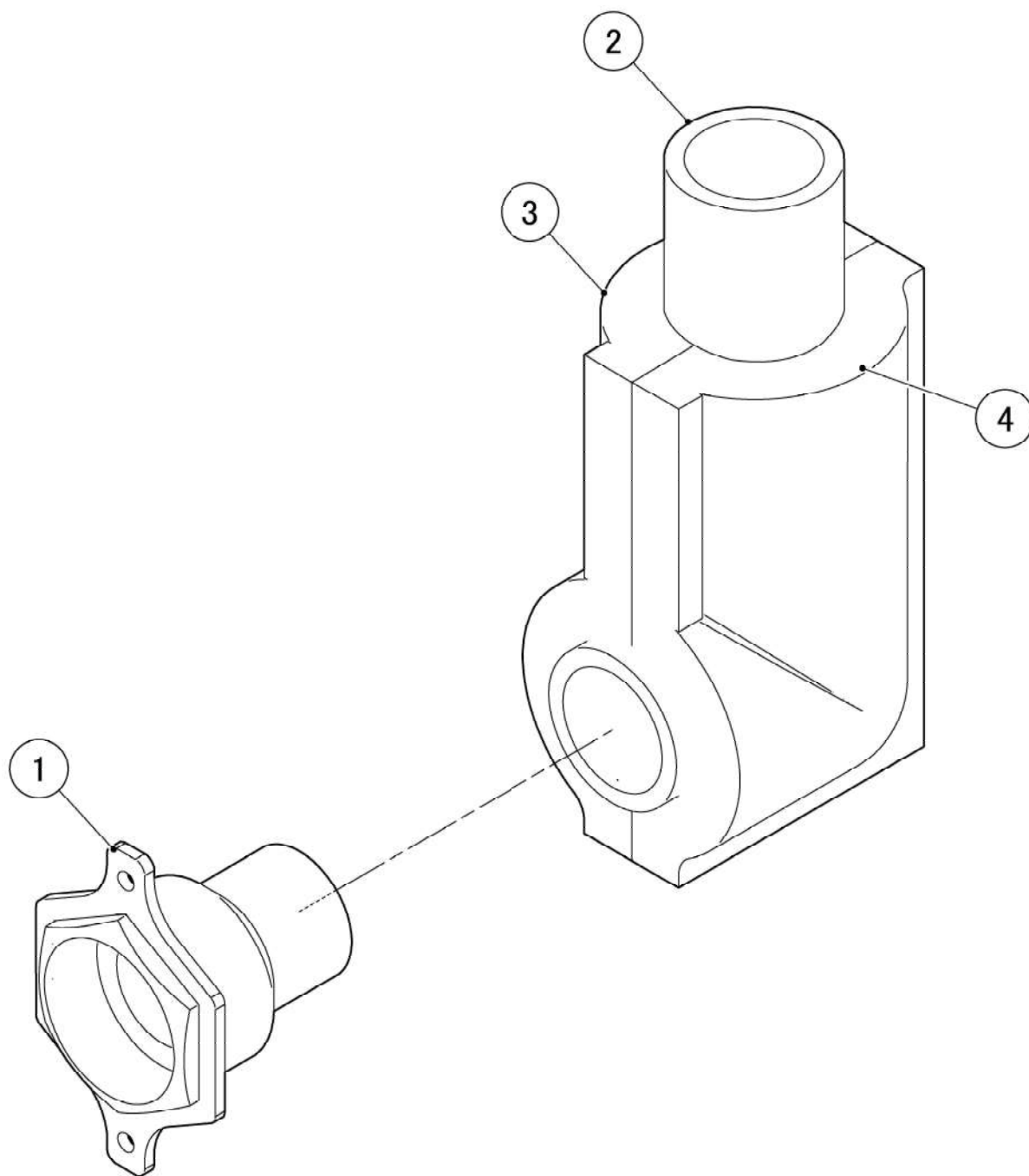


MODEL: **IM-50BAA-Q**

TITLE: **U.FUSE ASSY**

INDEX NO.	DESCRIPTION	MATERIAL OR MODEL NUMBER	PART NUMBER	REQ'D NUMBER			
				K-1			
1	FUSE HOLDER		P02829-01	1			
2	FUSE		P04203-01	1			

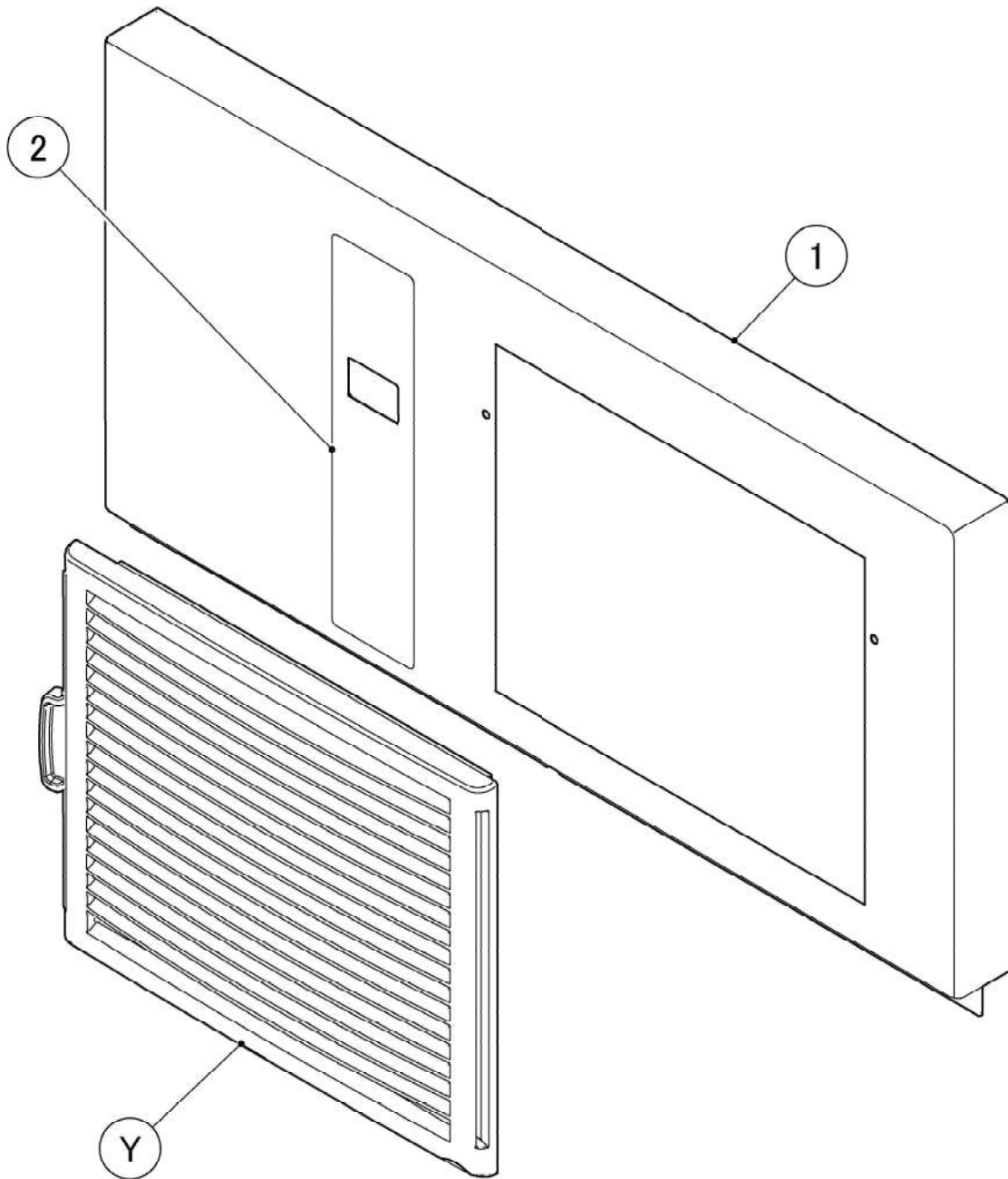




MODEL: **IM-50BAA-Q**

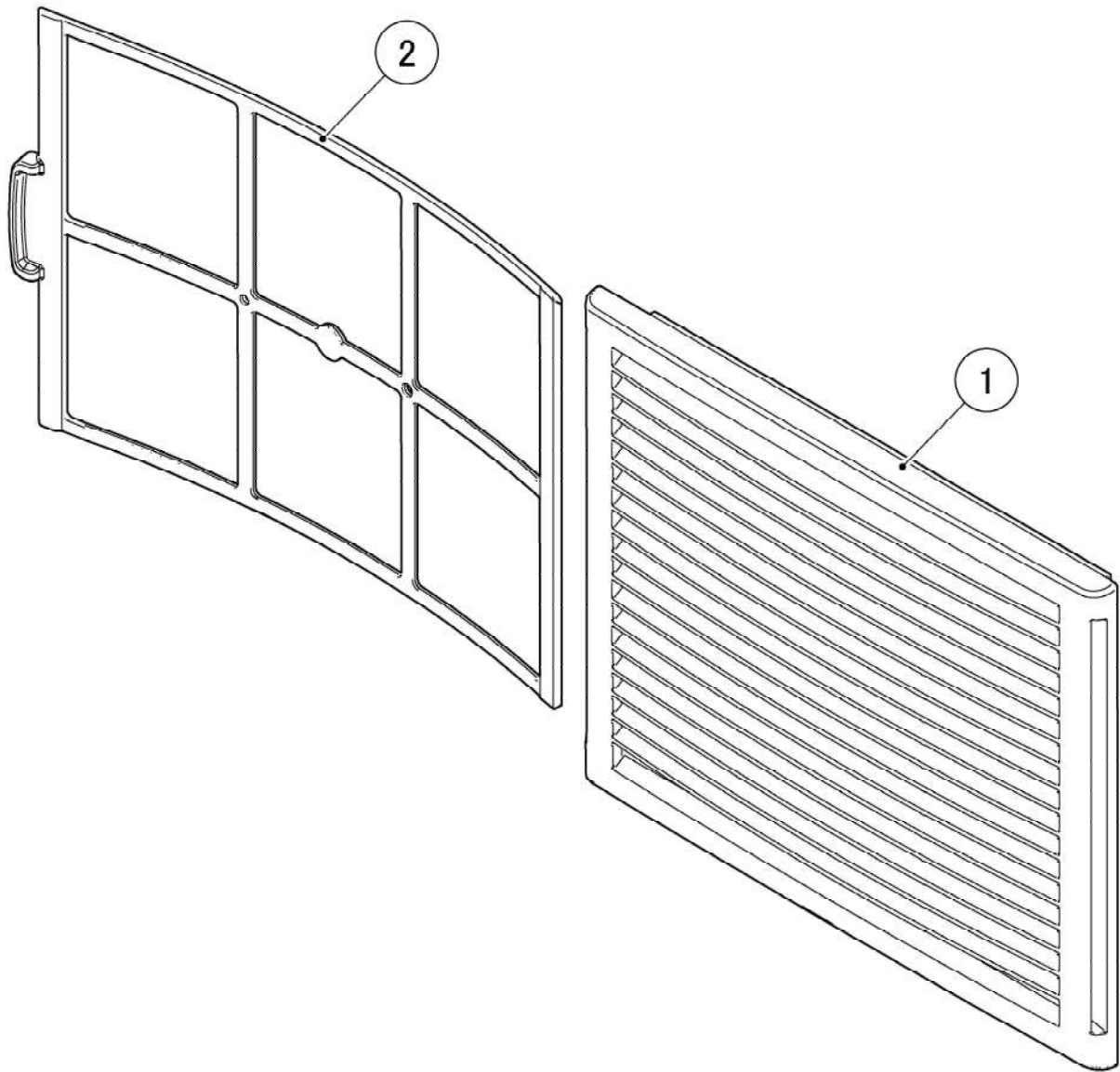
TITLE: **W.DRAIN HOSE ASSY**

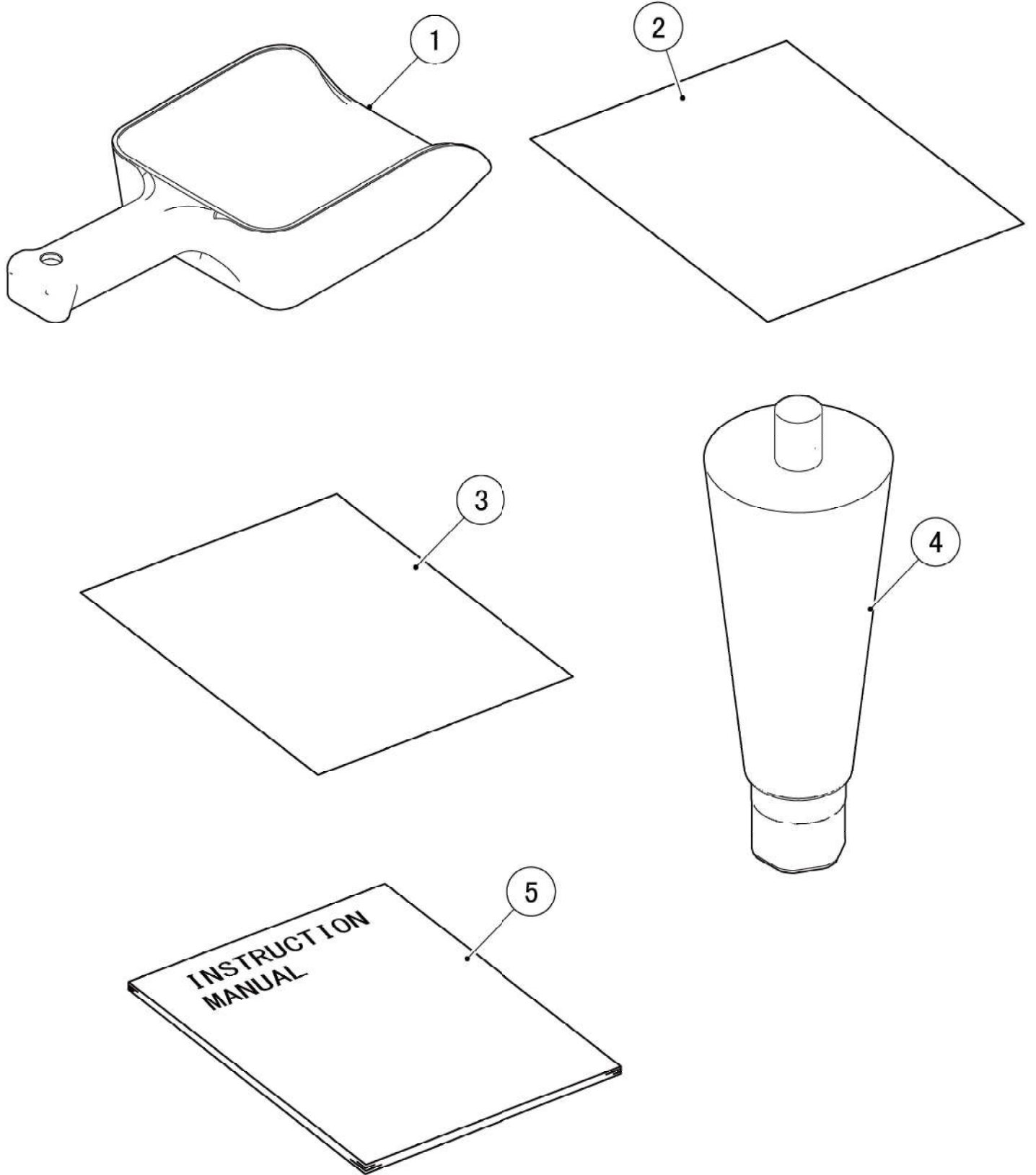
INDEX NO.	DESCRIPTION	MATERIAL OR MODEL NUMBER	PART NUMBER	REQ'D NUMBER			
				K-1			
1	DRAIN FITTING		477775G01	1			
2	DRAIN HOSE		4Z0811R01	1			
3	COVER (A) - DRAIN		3X5370-01	1			
4	COVER (B) - DRAIN		3X5370-02	1			



MODEL: **IM-50BAA-Q**TITLE: **X.FRONT COVER (LO)**

INDEX NO.	DESCRIPTION	MATERIAL OR MODEL NUMBER	PART NUMBER	REQ'D NUMBER			
				K-1			
Y	LOUVER ASSY		3Y6179A01	1			
1	FRONT PANEL (LO)		2X3992M01	1			
2	OPERATION LABEL		375116L03	1			





MODEL: **IM-50BAA-Q**TITLE: **Z.ACCESSORIES**

INDEX NO.	DESCRIPTION	MATERIAL OR MODEL NUMBER	PART NUMBER	REQ'D NUMBER			
				K-1			
1	SCOOP		1H4123P02	1			
2	CERTIFICATE-WARRANTY		2A9166-01	1			
3	REGISTRATION CARD		2A2894-01	1			
4	LEG		4A2525-01	4			
5	INSTRUCTION MANUAL		L1M041101	1			